



T.S. Interactive Solutions Inc.

Transforming Your Interactive Experience



Transforming your Interactive Experience

T.S. Interactive has a solution for you, from an extensive range of commercial grade Interactive bonded PCAP and Ultra-Slim Infrared (IR) 4K UHD Touchscreens, Wireless Collaboration Solutions, Digital Signage, Video Conferencing, Mobile Stands, Assistive Technologies and Annotation Software.

Servicing Businesses, Government, Education and Healthcare, we have you covered with trusted Audio Visual Dealers and Partners across Canada and the United States.

Interactive Touchscreens

The IR Touchscreens is our core product range. All systems have a Built in Android Operating system making them IoT ready, with auto-switching inputs, meaning as soon as HDMI and USB are connected, and the screen detects this and dynamically switches the inputs for an enhanced user experience. There is no need to reconnect cables, all on-screen menus are touch enabled and all our Touchscreens have an OPS Computer Slot in them for the ultimate performance. **Available sizes 55" 65" 75" 86" and 98"**

We have the latest i5 and i7 OPS computers pre-loaded with Windows 10 Professional available.



HDi-Edge New Generation 4K, 20 point Multi-touch with Built in Sound Bar, OPS Slot with optional Windows and Android with access to Play Store.

This new technology boasts the Slimmest Low Profile Ultra-fast Performance IR Frame with a micro-gap between panel and toughened AG Glass.

HDi Pro

HDi Pro is our Optically bonded Capacitive Technology screen that offers the best Interactive experience with the stunning leading-edge visual performance. HDi Pro incorporates PCAP technology with a sleek clean finish with a **'zero gap'** feature for a seamless experience. The screen offers up to 40 points of touch.

Complete with HDi OS Android 8, the system is completely Plug and Play, with no drivers necessary for the interaction. All HDi screens work with Windows, OSX, Android and Linux operating systems. The screens 4K resolution native, LED high brightness backlight and wide screen format provides an ideal medium for presentation, interaction and collaboration. **Available HDi Pro Sizes 65" and 86"**



HDi Workspace

Experience the stunning leading-edge Touch performance with the HDi Workspace 65" 4K multi-touch table with inbuilt OPS computer. The HDi workspace incorporates 32 point multi-touch with an optically bonded capacitive touch technology panel for a seamless experience.

HDi Workspace 65" works perfectly with its inbuilt OPS Computer, LED high brightness backlight provides an ideal medium for interaction and collaboration.

There are ample I/O ports that would suit any environment, making the HDi-Workspace a must-have companion for your Real Estate Office, Corporate Offices and government departments.



**Features an elegant optically bonded
PCAP 65" 4K touchscreen, OPS computer
Finger touch height adjustable
Interactive Table.**



Video Conferencing Bundles



Using conferencing solutions like Microsoft Teams or Zoom Rooms provides simultaneous connections to the HDI Touchscreen. This is ideal for small to medium sized conference rooms.

Zoom Preconfigured NUC
Intel Dual Core i5-7300U
8GB RAM, 128 GB Storage
Licensed copy of Windows 10 Professional



Microsoft Teams

zoomrooms

HDi Webcam for conferencing

The HDi Webcam provides a high quality HD camera and two inbuilt microphones to support sound up to 15 feet. Perfect for video conferencing in the meeting space, the HDi Webcam is plug and play for ease of use within any platform Microsoft Teams, Zoom, Skype



HDi AirServer Bundles

AirServer has taken the best quality hardware it could find, installed its own operating system, taken the best of everything they've learnt in the last 8 years of screen mirroring and put it all into one box.



 AirServer®

This little device can consistently receive and display 9 connections

simultaneously in full 1080p with 60 fps gaming quality without breaking a sweat. All this while maintaining out-of-the-box compatibility with any Windows **10 (including wireless Touch)**, iOS device, Mac, Chromebook and any Android device.

HDI edge



 AirServer®

100% Reliable



No one likes a screen mirroring solution that only works 90% of the time. To achieve the ultimate reliability we had to build our own Linux Embedded based operating system for AirServer Connect 4K UHD. Unlike a regular desktop OS we have no strange processes, unwanted driver updates or OS updates running in the background so we can guarantee 100% connectivity every time.

Ultimate Performance



Since AirServer 4K UHD is fully optimized for its custom Intel NUC based hardware, it is able to receive 8+ simultaneous on-screen mirroring connections in full 1080p, true end-to-end 60 fps gaming quality without breaking a sweat, and it can do this all day without overheating!

Universal



Since AirServer Connect 4K UHD implements AirPlay, Google Cast and Miracast you can wirelessly display your content without installing yet another 3rd party app.

Super Secure



We care about your security and as a result AirServer 4K UHD implements all the mirroring related security features that are offered by an Apple TV, Chromecast and Microsoft Wireless Display Adapter. Since we are using our own Linux Embedded based operating system we can guarantee no unwanted or un-configured services running in the background

Guest Network



The device comes with its own wireless network making it super easy for anyone to project, while still allowing you to control their access to your corporate network or the Internet.

Collaboration Solutions



Vivi

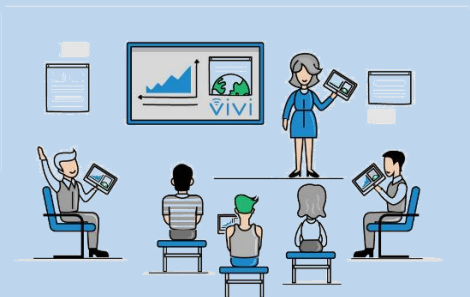
T.S. Interactive Solutions has a range of exceptional wireless mirroring solutions.

Vivi™ is a wireless presentation tool that enables teachers and students to share, display, annotate, capture and save information in real time, from any Application and **any device in the classroom** or boardroom.

Vivi has provided relief to IT Administrators, who can now remotely connect, control and update any device through the Portal at a convenient time to minimize disruptions during class time. Vivi is Empowering Students and participants by providing control to share content from your tablet, smart phone, and use the integrated annotation tools.

Key Features

- **Touch Support**
- Custom Splash screens
- **School-wide Management**
- Privacy mode
- **Analytics Usage Dashboard**
- Multi-platform software
- **BYOD Support**
- Integrated annotation tools
- **Emergency broadcasting**
- Seamless Video Broadcasting



HDi Connect Plus

HDi connect plus transmits video, audio, touch and any application from a laptop or smart device to the presentation screen.

Full mirroring technology showing all content as it is. **Wireless access P2P (Peer to Peer)** high quality video & sound transmission is shared in real time. Switching devices easily just by ONE-CLICK of a button.

No installation of software. No complicated set-up. HDi connect plus also enables touch control through the screen when sharing a PC.

With new intuitive interface HDi connect plus shows your devices live and ready to stream



plug in

Connect the transmitter to your device

turn on

Turn on the transmitter from the side button

share

Press the "one - click" button and share your content to the screen



Mobile Stands

HDi height and tilt adjustable mobile stands are manufactured in Australia. We offer an extended range of fixed to manual and electrical height adjustable mobile stands and height adjustable tables with interactivity built into them.

T.S. Interactive has a mobile solution for all your screens from 55" through to our 98" Ultra High Definition UHD Multi-touch Touchscreens.

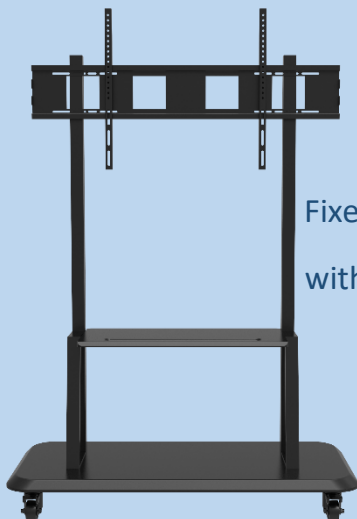
The Tilt-2-Table™ turns your 55" or 65" Touchscreen from an upright to a Touch Table for collaboration between colleagues.

Share your technology between meeting and training rooms with the Mobile Elite Plus as it maneuvers through doorways and elevators with ease with its durable casters and small footprint.



Premium Mobi Stand for larger 75", 86" and 98" HDi Touchscreens.

The HDi Tilt-2-Table™ mobile Stand is height and tilt adjustable.



Fixed Height Mobile
with an Equipment Shelf



Digital Signage

Interactive advertising & information kiosks with built-in processors and Integrated Audio.

HDi Interactive Freestanding, Hanging, Cascading and Wall mounted Digital Signage Solutions allow you to broadcast a variety of interactive content to your target audience.

- Integrated Full HD LED Panel
- Multi-touch capabilities
- Built-in PC
- Integrated speaker system
- Signage Wrapping
- Optional OPS or mini computer



Call us today

T.S. Interactive Solutions Inc.
PO Box 77026, RPO Hwy 7
6579 Highway 7
Markham, ON
L3P 0C8
Phone: +1 647 302 3426
Email: info@tsinteractive.ca
Website: www.tsinteractive.ca

